



# T&S BRASS AND BRONZE WORKS, INC.

2 Saddleback Cove / P.O. Box 1088  
Travelers Rest, SC 29690



REG. #A2601  
ISO #9001

Model No.

**B-1125-LN**

Item No.

Travelers Rest, SC: 800-476-4103 Simi Valley, CA: 800-423-0150 Fax: 864-834-3518 www.tsbrass.com

This Space for Architect/Engineer Approval

Job Name \_\_\_\_\_ Date \_\_\_\_\_

Model Specified \_\_\_\_\_ Quantity \_\_\_\_\_

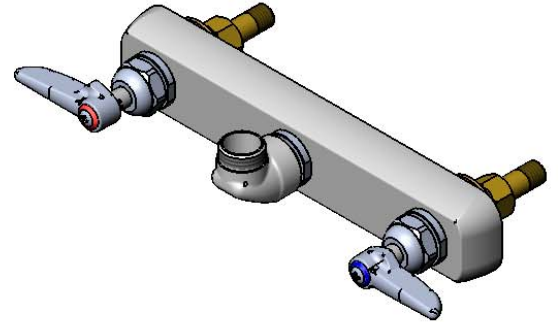
Customer/Wholesaler \_\_\_\_\_

Contractor \_\_\_\_\_

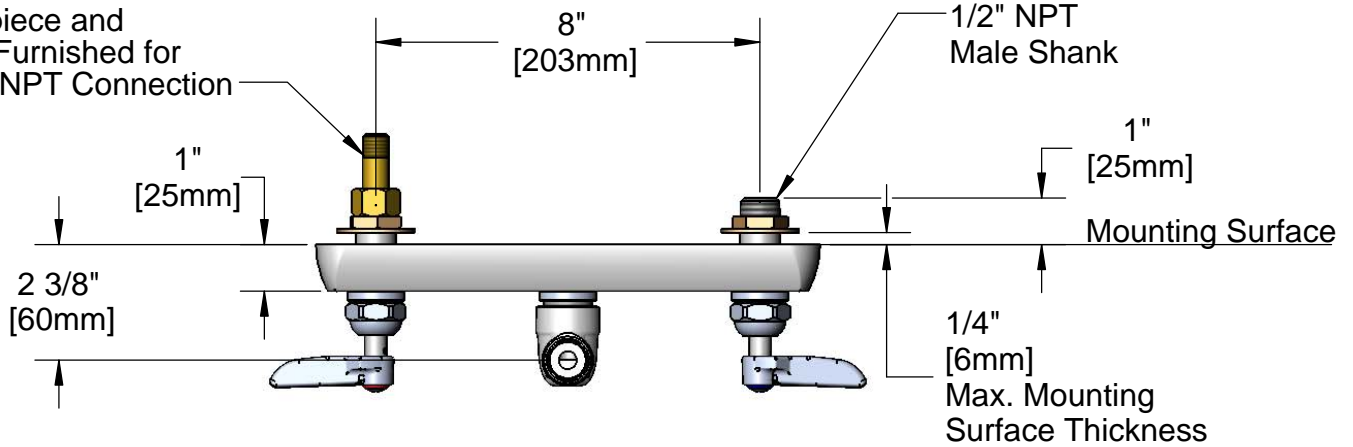
Architect/Engineer \_\_\_\_\_



**ADA Compliant**



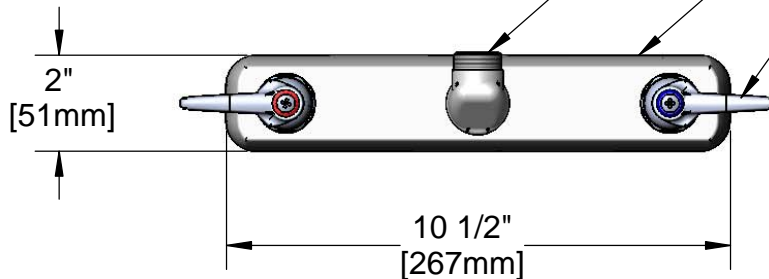
150A  
Tailpiece and  
Nut Furnished for  
1/4" NPT Connection



Swivel Base Accepts Standard T&S Swing Nozzles

Polished Chrome PLated Escutcheon

Lever Handles w/ Color Coded Indexes



**Rough-In Requirement:**  
(2)  $\varnothing$  1" [25mm] Mounting Holes

Product Specifications:

8" Inlet Centers Wall Mount Workboard Faucet Less Nozzle  
w/ Lever Handles & 1/2" NPT Male Shanks

Drawn

KJG

Checked

DHL

Approved

JHB

Scale:

1:4

Date:

08/18/11



**T&S BRASS AND BRONZE WORKS, INC.**

2 Saddleback Cove / P.O. Box 1088  
Travelers Rest, SC 29690



REG. #A2601  
ISO #9001

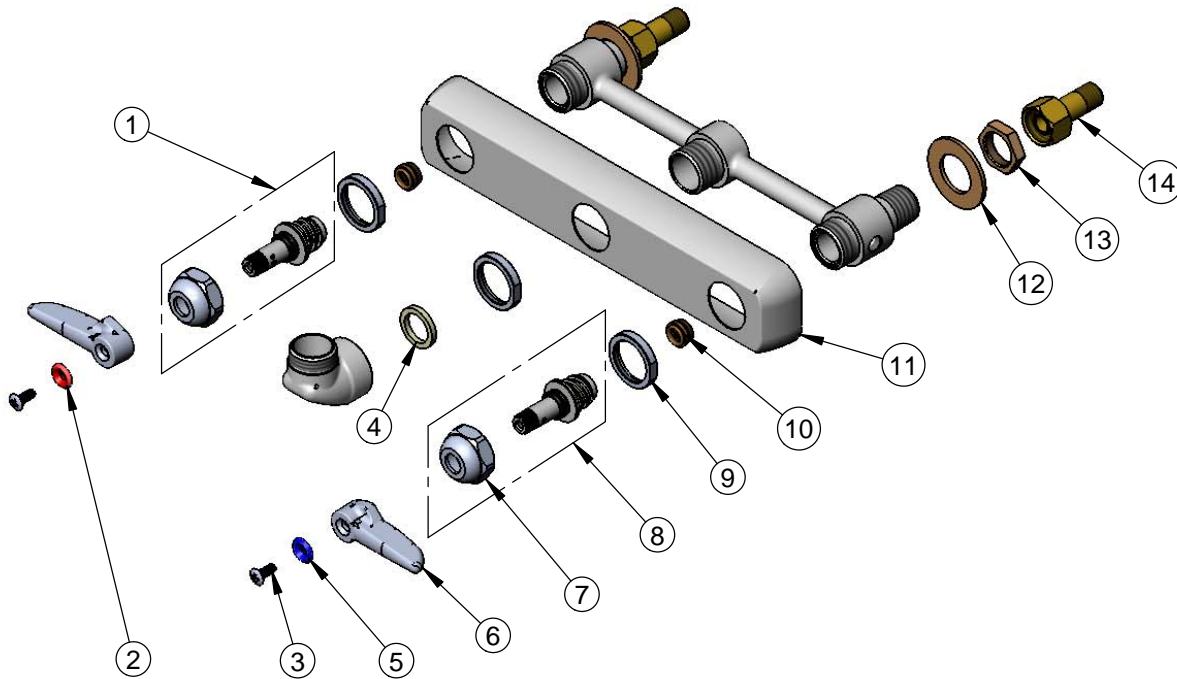
Model No.

**B-1125-LN**

Item No.

Travelers Rest, SC: 800-476-4103 Simi Valley, CA: 800-423-0150 Fax: 864-834-3518 www.tsbrass.com

ITEM NO.	SALES NO.	DESCRIPTION
1	009754-25	Spindle Assembly, (LTC)
2	001661-45	Red Index-HW
3	000922-45	Lever Handle Screw
4	001017-45	Washer
5	001660-45	Blue Index-CW
6	001638-45	Lever Handle
7	009749-25	Bonnet Nut
8	009753-25	Spindle Assembly, (RTC)
9	000712-25	Escutcheon Lock Nut
10	000763-20	Seat
11	001259-40	Escutcheon
12	000999-45	Brass Lock Washer
13	002954-45	Shank Lock Nut
14	150A	1/4" NPT Tailpiece & Nut



Product Specifications:

8" Inlet Centers Wall Mount Workboard Faucet Less Nozzle  
w/ Lever Handles & 1/2" NPT Male Shanks

Drawn <b>KJG</b>	Checked <b>DHL</b>	Approved <b>JHB</b>
Scale: <b>1:4</b>		Date: <b>08/18/11</b>